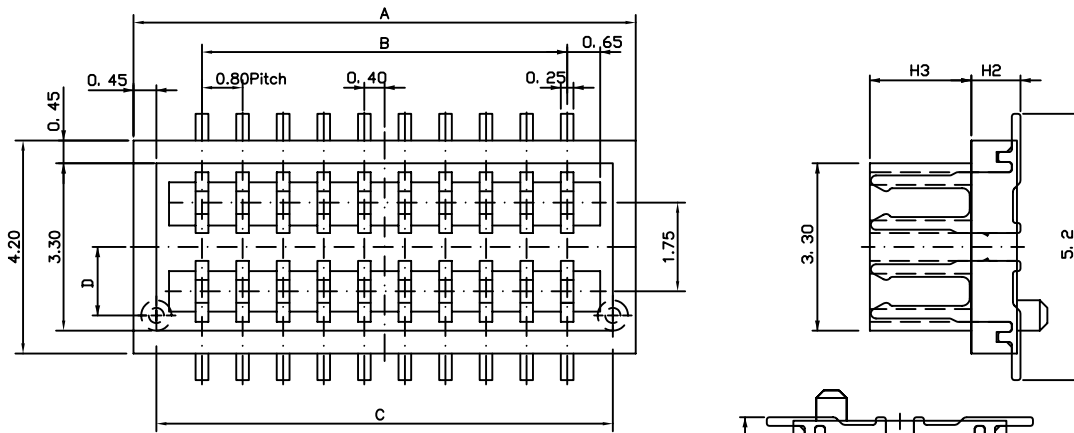


Board to Board Connector 0.8mm Pitch Socket Series

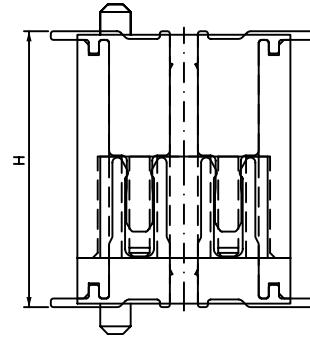
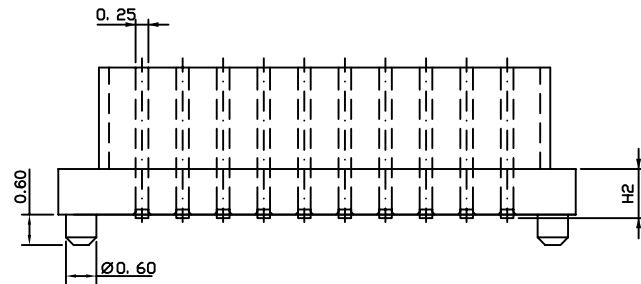
LTR	REVISION	DATE	NAME



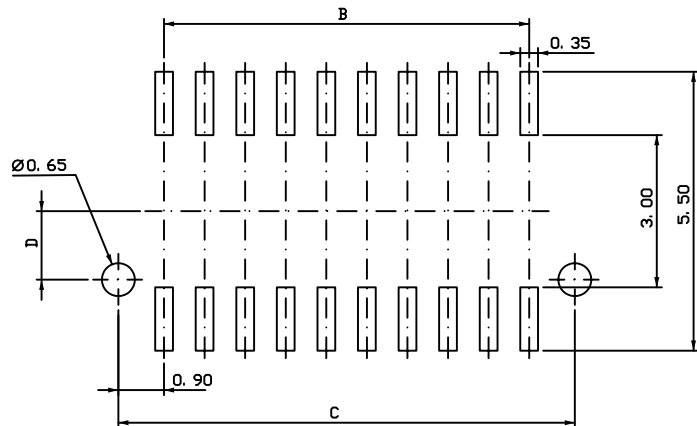
Specification

- 1. Ratings**
 Rated Current : 0.5A
 Rated Voltage : 50V(rms)/DC
 Operating Temperature : -25°C - +85°C
- 2. Electrical Performance**
 Contact Resistance : 40mΩ Max.
 Insulation Resistance : 500 MegaΩ Min.
 Dielectric Strength : 500V AC(rms).
- 3. Mechanical Performance**
 Insertion Force : 120gram/pin Max.
 Withdrawal Force : 20gram/pin Min.
 Terminal/Housing Retention Force : 0.1Kg. Min.

Dimension of H & H1			
HIGH(H)	PLUG(H1)	SOCKET(H2)	SOCKET(H3)
3.0	2.0	1.0	1.0
3.5	2.5	1.0	1.0
4.0	3.0	1.0	2.0
4.5	3.5	1.0	2.0
5.0	4.0	1.0	2.0
5.5	4.5	1.0	2.0
6.0	5.0	1.0	2.0
6.5	4.5	2.0	2.0
7.0	5.0	2.0	2.0
7.5	4.5	3.0	2.0
8.0	6.0	2.0	2.0
9.0	6.0	3.0	2.0



ASSEMBLED

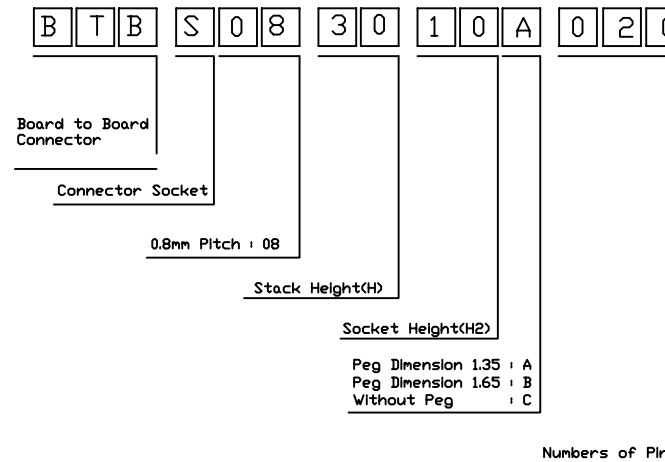


P. C. B LAYOUT

Applications

Small Portable Equipment, GSM Equipment
 Mobile Phone, PDA, MP3, MP4, DSC, PMP, LCD
 Digital Camera, Digital Audio, Note PC, etc

Order Information



Dimension of A, B & C			
PIN	A	B	C
8P	5.1	2.4	4.2
10P	5.9	3.2	5.0
12P	6.7	4.0	5.8
14P	7.5	4.8	6.6
16P	8.3	5.6	7.4
18P	9.1	6.4	8.2
20P	9.9	7.2	9.0
22P	10.7	8.0	9.8
24P	11.5	8.8	10.6
26P	12.3	9.6	11.4
28P	13.1	10.4	12.2
30P	13.9	11.2	13.0
32P	14.7	12.0	13.8
34P	15.5	12.8	14.6
36P	16.3	13.6	15.4
38P	17.1	14.4	16.2
40P	17.9	15.2	17.0
42P	18.7	16.0	17.8
44P	19.5	16.8	18.6
46P	20.3	17.6	19.4
48P	21.1	18.4	20.2
50P	21.9	19.2	21.0
60P	25.9	23.2	25.0
70P	29.9	27.2	29.0
80P	33.9	31.2	33.0
90P	37.9	35.2	37.0
100P	41.9	39.2	41.0
120P	49.9	47.2	49.0

Dimension between Peg and Center Line	
No.	Dimension D
A	1.35
B	1.65
C	without Peg